



MC-E720

# Autosort MC-E720

MULTI - CHROMATIC ELECTRONIC SORTER FOR PROCESSED PRODUCTS

## Features

### HIGH CAPABILITY

- Single lane product flow
- Up to 2000 pieces/min
- Inspection widths up to 300mm
- Compact footprint
- New build or retro-fit to existing line
- Stainless steel - easy cleaning

### MORE THAN COLOUR

- Inspection in 4 colours including infrared
- Colour LEDs or fluorescent lighting
- High resolution cameras - from 0.5mm
- 2D inspection with height option

### PRECISE REJECTION

- Fast pneumatic ejectors
- Large object removal
- Mechanical reject option

### FIT AND FORGET

- Easy set-up, large touchscreen
- Foreign languages
- Automatic alarms and reports
- Auto-calibration and self cleaning
- Remote maintenance

## Applications

- Dry, fresh or frozen foods
- Assembled products - sandwich biscuits, wafers
- Snack bars
- Biscuits, cookies
- Meat products - burgers, sausages
- Pizzas
- Moulded or formed product - fish pieces, scampi
- Potato products - waffles, rosti, croquettes
- Bakery products - buns, bagels, doughnuts, pastries, pies

## Benefits

- Removal of discoloured product  
burnt, underbaked, un-enrobed, missing topping etc
- Damaged product removal  
broken, squashed, incorrectly assembled
- Process defects eliminated  
wrong size or shape, poor enrobing, missing decoration etc
- Foreign body and contamination removal  
plastic, wood etc



KEEPING AN EYE ON YOUR PRODUCT

# Autosort MC-E720

MULTI - CHROMATIC SORTER FOR REMOVAL OF COLOUR, SIZE AND SHAPE DEFECTS FROM PROCESSED PRODUCTS

## The Operation

In any production food line there will always be some natural or process defects. Colour defects such as burnt, underbaked or unenrobed; size defects such as broken or protruding nut in snack bar; shape defects such as elliptical biscuit or non-rectangular wafer bar. All these and more can be detected by the AUTOSORT MC-E720. The user-friendly graphical interface enables the operator to set colour, size and shape limits to a specific requirement. Up to 24 products can be stored with one-touch changeover - ideal for today's short batch run production demands. The system is versatile and can as easily be fitted to existing lines as new builds.

The MC-E720 is specifically configured for efficient sorting of complete itemised products - typically before an automated packaging machine. Products are brought by conveyor to the illuminated section where a rapid sequence of light obtains "more than colour" information from the product. Often, even very similar colours can be differentiated, and the infra-red capability improves detection of foreign bodies. A fast acting 2048-pixel line-scan camera inspects the product and the camera information is processed by the Radix 'Snapshot' processor. Easy, graphical setup allows the user to train the system for size, shape and colour. Defective items are removed by short puffs of air from ejectors mounted beside the conveyor.

## The Benefits

No process is perfect and so there will always be faulty product on any line. By removing defective items the quality and value of the finished product is increased, customer complaints reduced and reputation enhanced. Modern high-speed packaging systems demand tight tolerances if jamming and downtime are to be avoided. The Autosort fitted just before packing fulfils this purpose. High quality, consistent product and increased production efficiency provided in a single machine!

## The Company

Radix Systems Limited, an ISO 9001 accredited company since 1992, is committed to improving quality within manufacturing and process industries. All our sorting and inspection systems carry the 'CE' marking and are technologically advanced whilst remaining simple to install, operate and maintain. Full back-up and training is available from the company and from our international agents.

### Radix Systems Limited

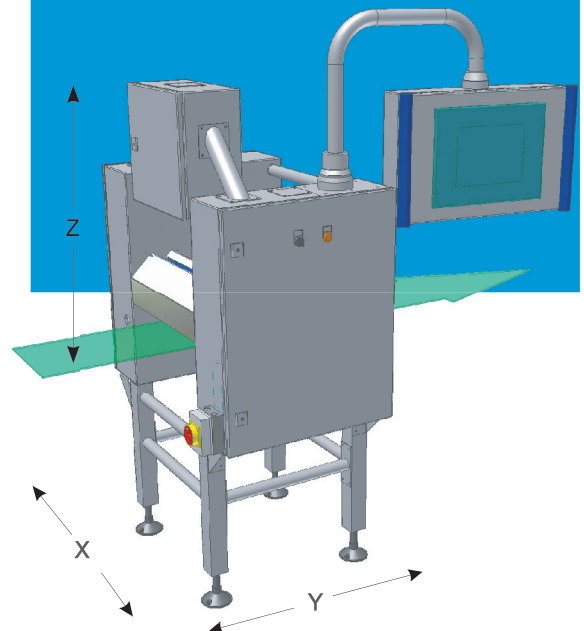
D3/D4 Premier Centre, Abbey Park, Romsey  
 Hampshire SO51 9DG, United Kingdom  
**Tel:** +44 (0)1794 830240 | **Fax:** +44 (0)1794 830143  
**email:** info@radixsystems.co.uk  
**web:** www.radixsystems.co.uk

### Model options

MODEL	MC-E720
NO. OF NOZZLES	to suit
LIGHTING	1 or 4 colours
CAMERAS	1 Top viewing
INSPECTION WIDTH (mm)	up to 300
DIM X (mm)	920
DIM Y (mm)	600
DIM Z (mm)	1060 + frame

### Typical capacities pieces/min

COOKIE (100mm dia)	500
SNACK BAR (120 x 30 mm)	1000



Represented by: